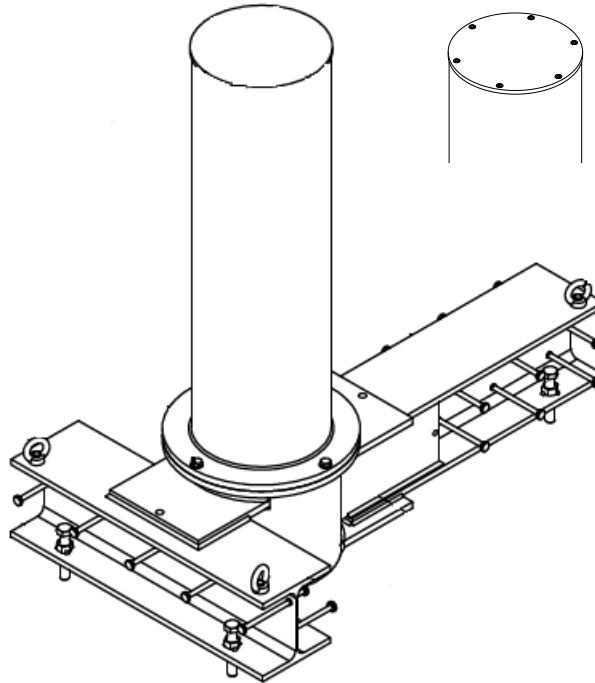

Technical Data Sheet



- Design:** Removable blocking bollard with base supports for shallow mount installation. Bollard system can be adapted on site for corner applications.
- Impact Energy:** 1680 kJ (15,000 lb @ 80 km/h)
Vehicle Impact Simulation M50/P1 (triple unit)
- Blocking Element:** Diameter: 355 mm with welded on steel top plate,
optional: screwed on steel top plate, in galvanised finish or
coated in colour of blocking element
- Wall Thickness:** 30 mm
- Blocking Height:** 1100 mm
- Foundation Size:** 4500 x 2500 x 400 mm (triple unit)
- Foundation Top Edge:** 100 mm below finished floor level
- Weight:** 710 kg
- Options:** Bollard top lighting, Ufo-shape, red, white or yellow
Stainless steel sleeve with screwed on or welded stainless steel top plate
Height compensation and blind plate for height compensation
- Colour (Standard):** RAL 6005 moss green, RAL 7016 anthracite grey, RAL 7030 stone grey,
RAL 7035 light grey or RAL 9010 pure white
- Colour (Optional):** Other RAL colours or DB colours