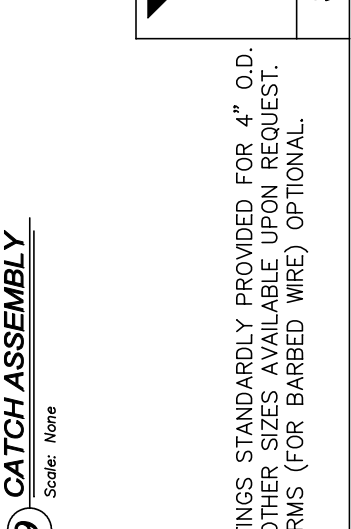
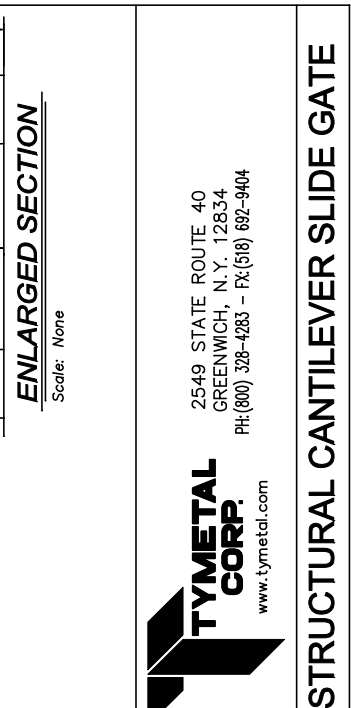
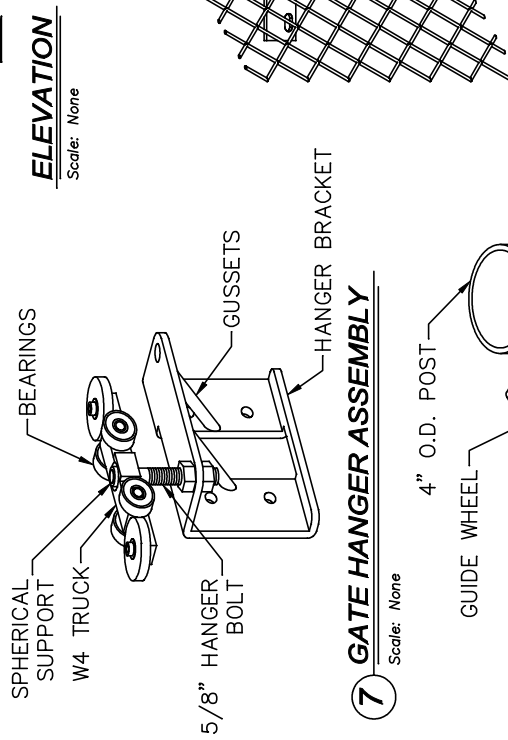
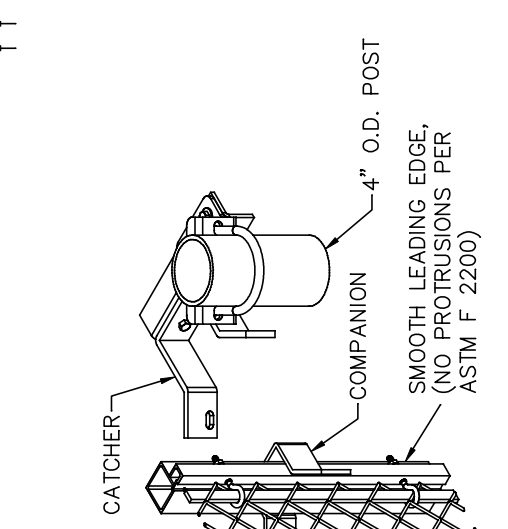
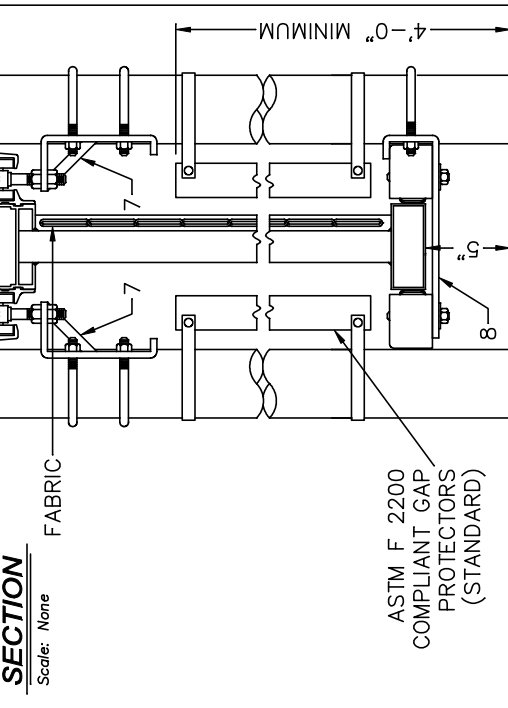
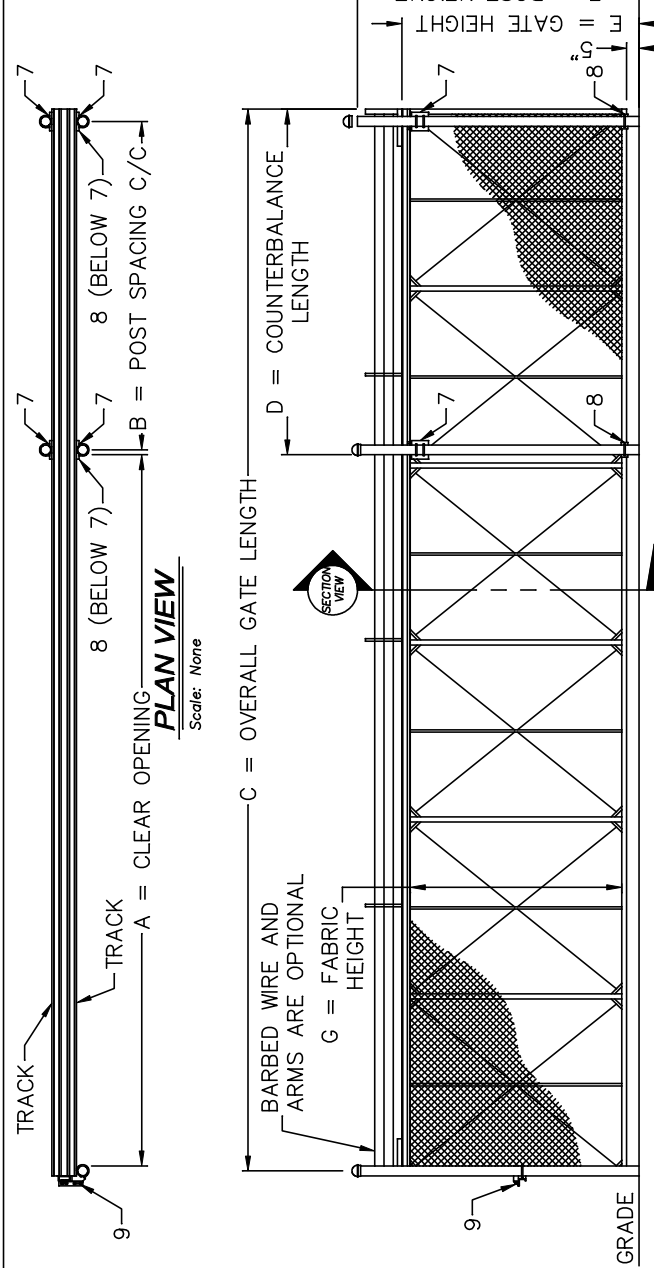




CRITICAL DIMENSION CHART			
MARK	DESCRIPTION	FORMULA	DIM.
A	CLEAR OPENING	A	-
B	COUNTERBALANCE POST SPACING C/C	(A/2)-11"	-
C	OVERALL GATE LENGTH	A x 1.5	-
D	COUNTERBALANCE LENGTH	A x 0.5	-
E	NOMINAL GATE HEIGHT	E	-
F	POST HEIGHT (W BARB ARMS)	E + 1'-6"	-
G	FABRIC HEIGHT	E - 1'-0"	-



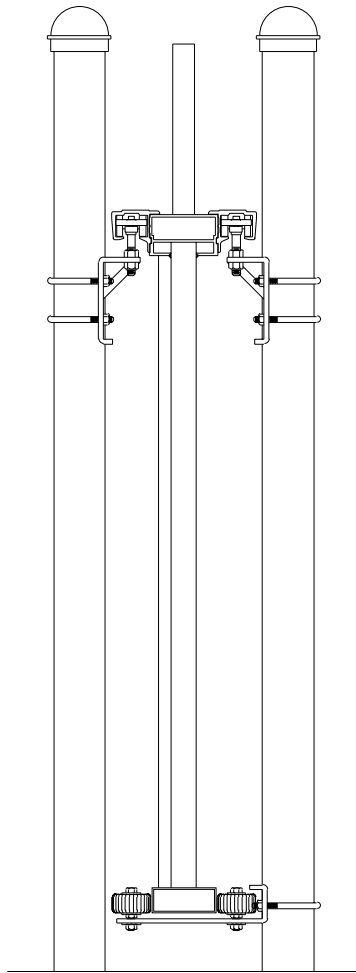
**TYMETAL CORP.**  
www.tymetal.com

2549 STATE ROUTE 40  
GREENWICH, N.Y. 12834  
PH(800) 328-4283 - FX(518) 692-9404

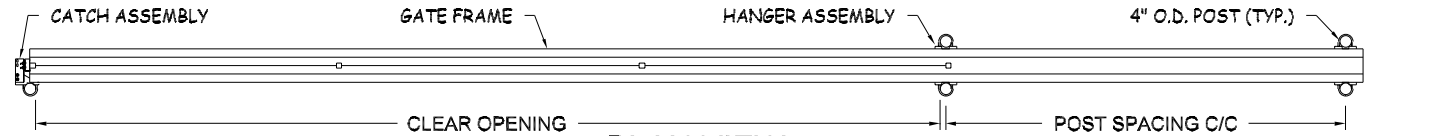
**STRUCTURAL CANTILEVER SLIDE GATE**

NOTES:  
1. ALL FITTINGS STANDARDLY PROVIDED FOR 4" O.D. POSTS. OTHER SIZES AVAILABLE UPON REQUEST.  
2. BARB ARMS (FOR BARBED WIRE) OPTIONAL.

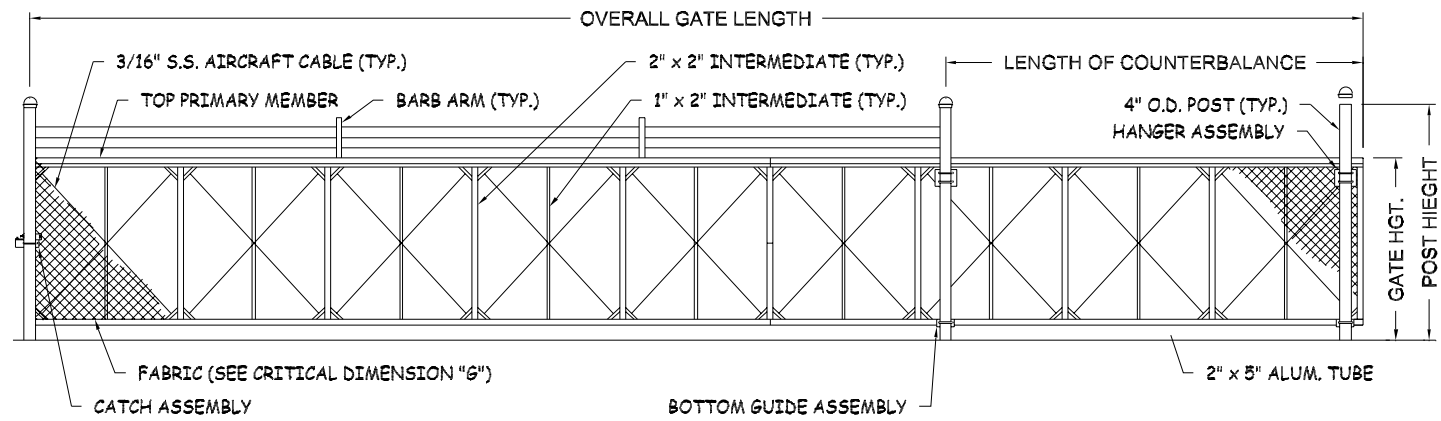
# Designed for Gate Openings up to 40ft



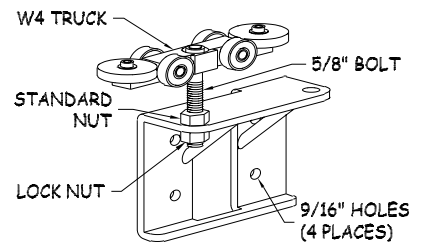
ASSEMBLY SECTION



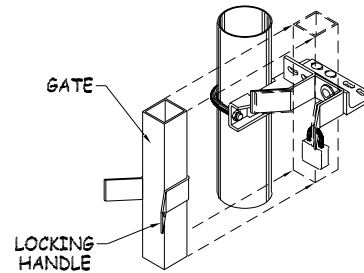
PLAN VIEW



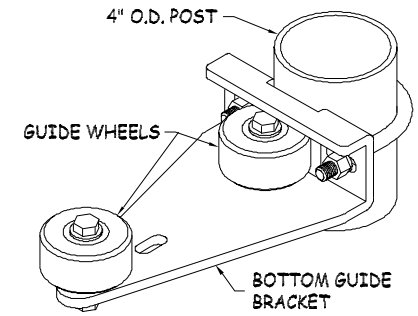
BOTTOM GUIDE ELEVATION



GATE HANGER ASSEMBLY



CATCH ASSEMBLY



BOTTOM GUIDE